

IMPORTANT SAFETY INSTRUCTIONS

WARNING: Read instructions before operating. Failure to follow all instructions listed below may result in electric shock, fire, and/or serious injury.

WARNING: This product uses lithium-ion batteries and is subject to local, state, national, and/or international requirements. Lithium-ion batteries may ignite, explode, or release toxic and harmful materials or chemicals if mishandled.

- Do not use a battery that is damaged.
- Do not incinerate the battery.
- The battery should not be disassembled, crushed, punctured, opened, or otherwise mutilated. Never remove covers or attempt to disassemble.
- This appliance should never be left unattended when in operation.
- Unplug appliance from outlet before relocating or troubleshooting.
- Do not connect an extension cord to this unit.
- Keep out of reach of children. Close supervision is necessary when this appliance is used near children, elderly persons, and disabled persons.
- Use the battery only for its intended use as described in the user manual.
- Do not use attachments not recommended by the manufacturer. A charger that is suitable for one type of battery pack may create a risk of fire when used with a different battery pack.
- Keep all cords away from heated surfaces and pinch points.
- Do not use outdoors. **INDOOR USE ONLY.**
- Do not use on or near an infant, sleeping or unconscious person.
- Avoid prolonged exposure to skin. Prolonged exposure may have an adverse affect on skin.
- Never operate the battery if it has a damaged cord or plug, is not working properly, has been dropped or damaged, or exposed to liquid. Contact a service center for examination and/or repair.
- To disconnect, turn all controls to the off position, then remove plug from outlet.
- The battery must be **FULLY CHARGED** at least **EVERY 6 MONTHS**.
- Failure to charge the battery pack at least every 6 months is considered **NEGLECT**. Any battery pack that is found to be malfunctioning due to neglect will have its **WARRANTY VOIDED**.
- For storage, it is recommended to charge batteries to at least 40%, which is in the amber range of the LED test light

DANGER – TO REDUCE RISK OF ELECTRIC SHOCK:

- Do not reach for a battery pack that has fallen into water. Unplug immediately.
- Never use pins or other metallic fasteners with the battery pack.
- Discard if the covering shows any sign of deterioration, such as checking, blistering, or cracking.
- Keep dry. Do not operate in a wet or moist environment.

OTHER WARNINGS:

- Keep away from flammable material and heat sources.
- Use and store in a dry location.
- Do not short circuit the battery, over charge or over discharge.
- Do not allow the battery pack to become crushed.
- Do not reverse the polarity.
- Do not disassemble or repair the battery.
- Do not install near metallic parts that could cause a short circuit.
- Do not deform the battery housing.
- Do not touch a leaky battery. If chemicals come into contact with the skin or eyes, flush with water and seek medical advice.

DISPOSING NOTES

Lithium-ion batteries are subject to disposal and recycling regulations that vary by state. Always check and follow your applicable regulations before disposing of any battery. Contact Rechargeable Battery Recycling Corporation (rbrc.org) or your local battery recycling organization.

TRANSPORTATION

Always check local, state, national, and international regulations and carrier requirements before transporting a lithium-ion battery. Transporting an end-of-life, damaged, or recalled battery may, in certain cases, be specifically limited or prohibited.

ONE YEAR LIMITED WARRANTY

Raffel Systems warrants its products against all defects in materials and workmanship for a period of one year from the date of purchase, subject to the following terms and conditions:

This warranty applies only for normal use of the product, and shall not be effective for products or parts which do not function properly due to misuse, alteration, installation, accident, negligence, misapplication, modification, improper maintenance or commercial use, or if any product or part has been serviced or repaired by other than Raffel Systems. This warranty extends only to consumers and does not extend to Retailers.

This warranty is effective only if the product is operated in the country in which the product was purchased. A product that requires modifications or adoption to enable it to operate in any other country than the country for which it was designed, manufactured, approved and/or authorized, or repair of products damaged by these modifications is not covered under this warranty.

Liability of Raffel Systems, shall be limited to repair or replacement of any defective product or part, which option shall be the sole decision of Raffel Systems. This warranty is effective only on behalf of the original owner of the product and is not transferable. This warranty is effective only if the user manual instructions have been followed.

THE WARRANTY PROVIDED HEREIN SHALL BE THE SOLE AND EXCLUSIVE WARRANTY. THERE SHALL BE NO OTHER WARRANTIES EXPRESS OR IMPLIED INCLUDING ANY IMPLIED WARRANTY OF MERCHANTABILITY OR FITNESS OR ANY OTHER OBLIGATION ON THE PART OF RAFFEL SYSTEMS WITH RESPECT TO PRODUCTS COVERED BY THIS WARRANTY. RAFFEL SYSTEMS SHALL HAVE NO LIABILITY FOR ANY INCIDENTAL, CONSEQUENTIAL OR SPECIAL DAMAGES. IN NO EVENT SHALL THIS WARRANTY REQUIRE MORE THAN THE REPAIR OR REPLACEMENT OF ANY PART OR PARTS WHICH ARE FOUND TO BE DEFECTIVE WITHIN THE EFFECTIVE PERIOD OF THE WARRANTY. NO REFUNDS WILL BE GIVEN. IF REPLACEMENT PARTS FOR DEFECTIVE MATERIALS ARE NOT AVAILABLE, RAFFEL SYSTEMS RESERVES THE RIGHT TO MAKE PRODUCT SUBSTITUTIONS IN LIEU OF REPAIR OR REPLACEMENT.

To obtain warranty service on this product, mail the product and your dated sales receipt (as proof of purchase), postpaid, to the following address:

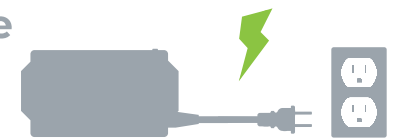
Raffel Systems Consumer Relations
N112W14600 Mequon Road
Germantown WI 53022

No COD's will be accepted.



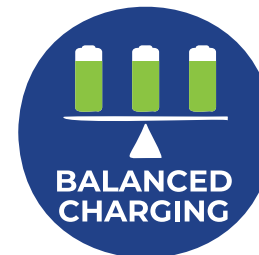
BATTERY PACK FOR MOTION FURNITURE

Please fully charge the battery pack before first use



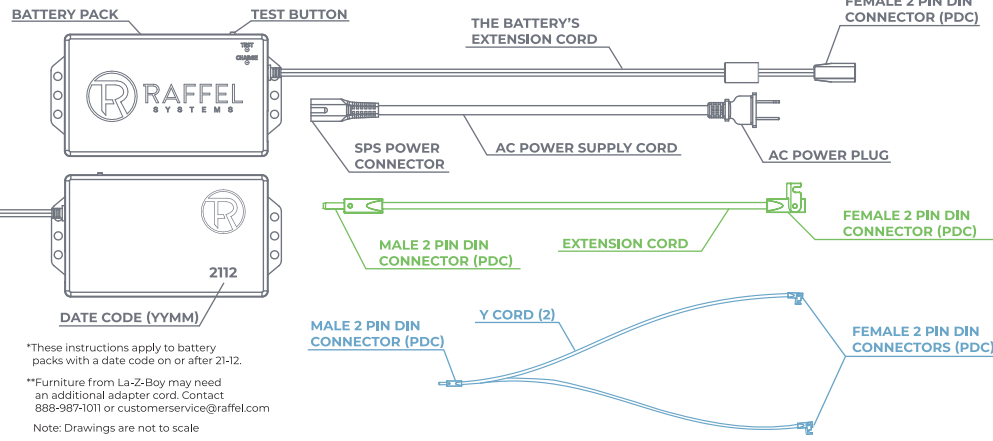
Includes **everything** you need for **3+ motion seats:**

- ✓ 5000mAh Battery
- ✓ Extension Cords (2)
- ✓ Y Cords (2)
- ✓ Power Supply



Need Help? Scan for battery pack resources

BP536 OVERVIEW*



*These instructions apply to battery packs with a date code on or after 21-12.
**Furniture from La-Z-Boy may need an additional adapter cord. Contact 888-987-1011 or customerservice@raffel.com
Note: Drawings are not to scale

LED INDICATORS

TEST LED:
Check the charge level of the battery pack by quickly pressing and releasing the Test Button. The Test LED will illuminate for 2 seconds.

Green LED: The battery pack is fully charged and can properly operate the furniture.

Amber LED: The battery pack is operational, but will need to be charged soon.

Red LED: The battery pack needs to continue charging in order to properly operate the furniture.

CHARGE LED:
The Charge LED indicates the status of the battery pack. It continuously illuminates while the battery pack is charging.

Green LED: The battery pack is fully charged and can properly operate the furniture.

Amber LED: The battery pack is operational, but needs to continue charging.

Red LED: The battery pack needs to continue charging in order to properly operate the furniture.

LED INDICATOR RANGE CHART
The chart below describes the range of charge for each LED color.

	TEST LED	CHARGE LED
Green LED	100%-50%	100%-85%
Amber LED	49%-20%	84%-20%
Red LED	≤19%	≤19%

CHARGING THE BATTERY

- 1) Check the status of the battery by quickly pressing and releasing the Test Button.
 - 2) If the Test LED is red or amber, connect the AC Power Supply Cord to the battery pack.
 - 3) Plug the AC Power Supply Cord into a wall outlet.
 - 4) Charge until the Charge LED is green. Allow up to 7 hours for a full charge.
 - 5) Once fully charged, unplug the battery from the wall outlet.
- Note:** If the LED does not light up, the battery is in sleep mode and will wake up automatically once charging.
-
- Note:** Operating furniture while charging may require a longer charging time.
Do not allow the battery to completely drain as this may reduce the life of the battery.

TROUBLESHOOTING GUIDE

Problem: No Power Output from Battery Pack	1) Confirm the battery pack is awake and the connections between the battery and furniture are secure.	2) Check the charge level of the battery pack by quickly pressing the Test Button on side of the unit.	Note: Pressing the Test Button ≥5 seconds will place the battery pack into sleep mode.	3) If no LED is on, plug the battery pack into an outlet to recharge. Wait 30 seconds for the Charge LED to illuminate, indicating that it is charging.
Problem: Test LED Does Not Illuminate	1) Charge the battery pack Allow up to 7 hours to fully charge the battery pack. It may be beneficial to disconnect the battery pack from the furniture during charging.	2) Next Steps: If the TEST LED does not illuminate when the button is quickly pressed and released, contact customer service at 888-987-1011 or customerservice@raffel.com.		
Problem: Charge LED Does Not Illuminate When Charging	1) Confirm AC Power Supply Cord is properly connected to the battery pack and the wall outlet.	2) Confirm the outlet used for charging is working properly.	3) Next Steps: If the battery pack does not hold a charge as indicated, contact customer service at 888-987-1011 or customerservice@raffel.com.	
Problem: Battery Does Not Hold A Charge	1) Charge the battery pack Allow up to 7 hours to fully charge the battery pack. It may be beneficial to disconnect the battery pack from the furniture during charging.	2) Note: The number of recline cycles the battery pack can execute between charges depends on occupant size, furniture configuration, and the number of system accessories like USB chargers.	2) Additional note: The battery pack will discharge when idle, but will not completely drain.	

SLEEP MODE

To initiate sleep mode, press and hold the Test Button for **five seconds** until the Test and Charge LEDs flash green.

The LEDs will not illuminate while the battery pack is in sleep mode.

Note: The battery pack is shipped in sleep mode and will wake up while charging.

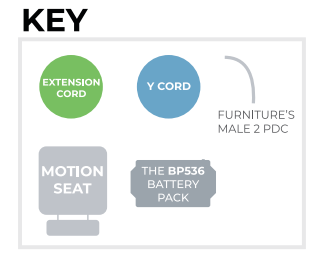


To exit sleep mode, press and hold the Test Button for **ten seconds** until the Test and Charge LEDs turn green.

Note: The battery pack will go into sleep mode if it does not have enough charge. Charge the battery pack to exit sleep mode.

HOW TO INSTALL THE BATTERY PACK

- 1) Fully charge the battery pack before installation.
 - 2) Once fully charged, connect the battery's female 2 PDC to the Y cord's male 2 PDC.
- Next, follow the steps for your furniture configuration.
-
- Plan Ahead:** Place the battery pack away from the furniture's actuators.



ADJUSTABLE BED

- 3) If needed, connect the Y cord's female 2PDC to the extension cord's male 2 PDC.
 - 4) Connect the cords' female 2 PDC to the furniture's male 2 PDC.
 - 5) Place the battery pack away from the furniture's actuators.
-

TWO SEAT SECTIONAL

- 3) Connect the Y cord's female 2 PDC to the furniture's male 2 PDC.
 - 4) Connect the Y cord's other female 2 PDC to the extension cord's male 2 PDC.
 - 5) Connect the extension cord's female 2 PDC to the furniture's male 2 PDC.
-

THREE SEAT SECTIONAL

- 3) Connect the Y cord's female 2 PDC to the furniture's male 2 PDC.
 - 4) Connect the extension cord's female 2 PDC to the Y cord's female 2 PDC.
 - 5) Connect the Y cord's male 2 PDC to the extension cord's male 2 PDC.
 - 6) Connect the Y cord's female 2 PDC to the furniture's male 2 PDC.
-